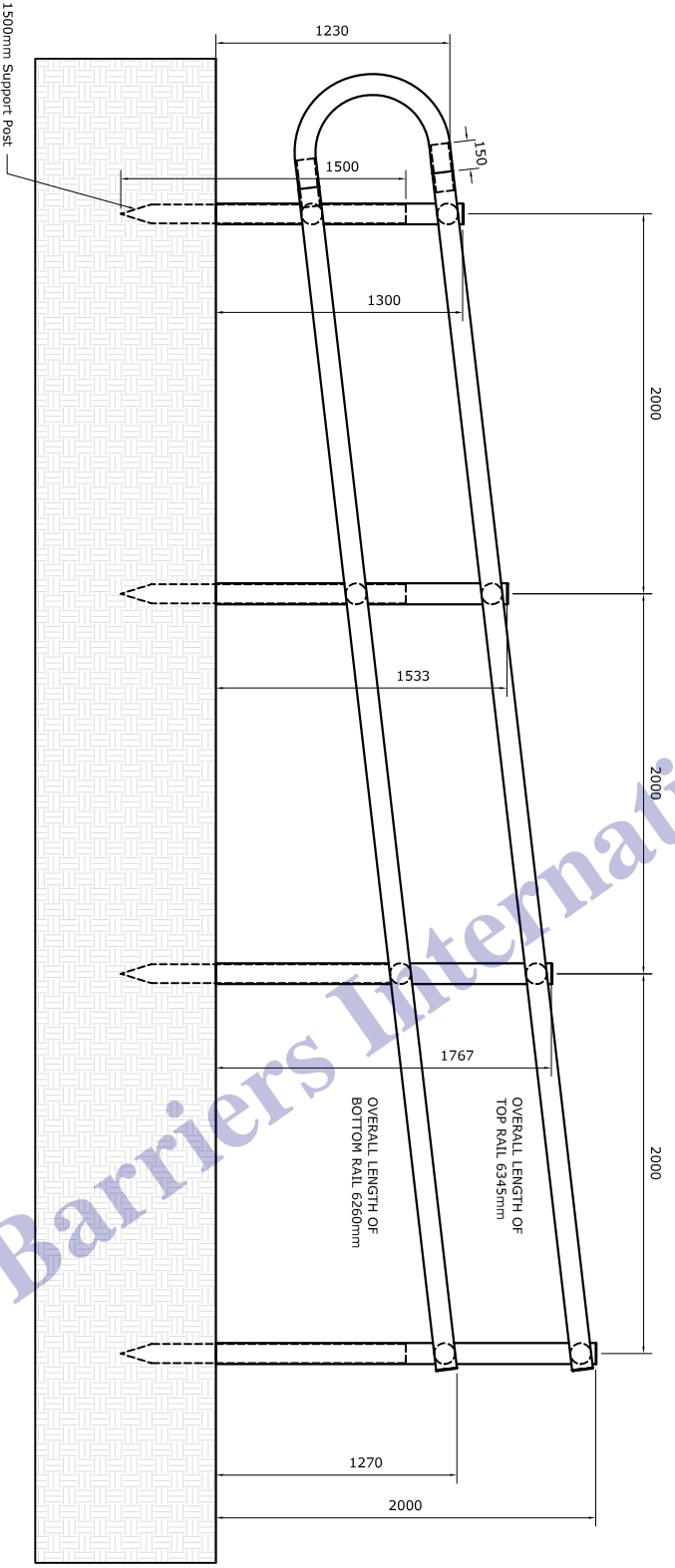


Post and Rail Joint Detail



System No.	NOT AVAILABLE / INDISPONIBLE	Colour:	Green/Vert/Grün
	NOT AVAILABLE / INDISPONIBLE	Colour:	Green & White/Vert & Blanc/Grün & Weiß
	213-2-W	Colour:	White/Blanc/Weiß
Description:	Fence Wing - 'Steeple' (Double, 6.00 m, 2-2.0m)		
Description:	Oreilles d'Obstacle - 'Steeple' (Double, 6.00 m, 2-2.0m)		
Beschreibung:	Einfang Für - 'Steeple' (Doppeltes, 6.0 m, 2-2.0m)		

Barriers International Ltd.
 PO Box 999, Malmesbury, Wiltshire, SN16 0RX, UK
 Tel: + 44 (0)1 666 829 100 Fax: + 44 (0)1 666 823 800
 E-mail: sales@barriersint.com Web: www.barriersint.com

Drawing No.: BAR 213DISIssue: 02
 Date: 28.03.2008
 Scale: N.T.S. Units: mm

Copyright: Barriers International Ltd.